

SOLID FUEL QUESTIONNAIRE



Date: _____ Agency: _____ Policy No.: _____
 Applicant/Insured: _____ Age: _____

AGENT PLEASE COMPLETE PLEASE ATTACH PHOTO of Solid Fuel Unit, Including Stovepipe, Chimney, Thimble and Floor Protection

SOLID FUEL EQUIPMENT

1. Make or Name of Manufacturer: _____ Age: _____ Is unit UL approved? Yes No
2. Type of Unit:
 - Masonry Fireplace Masonry Fireplace w/ insert Zero Clearance - Metal Fireplace Corn Stove
 - Woodburning Furnace (Central Heat) Woodburning Stove/Free Standing Fireplace Outdoor Unit
 - Add on Furnace Cook Stove Homemade or Barrel Stove Pellet Stove Other _____
3. Used for:
 - Primary Heat Supplemental Heat
4. If unit is UL approved, state the manufacturer's recommended clearance requirements from the tag located on the back of the solid fuel unit or in an accompanying manual? Back _____ Side _____
5. Does the wall have a protective barrier such as masonry or sheet metal? Back Wall _____ Left Wall _____ Right Wall _____

INSTALLATION

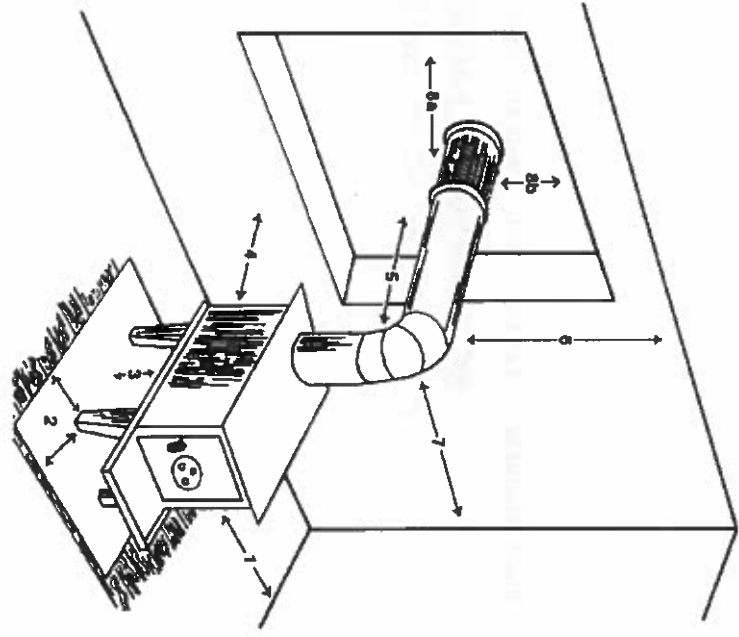
1. Who Installed: Contractor Insured or Applicant Other _____
2. Location: Basement Ground Floor Second Floor Other _____
 NOTE: If outdoors or in separate building, submit a photo and advise number of feet from: a. dwelling _____ ft.; b. nearest bldg. _____ ft.
 Does unit use: Hot Air Hot Water
3. Is solid fuel equipment placed on a non-combustible pad or floor surface which extends 18" on all sides of unit? Yes No

CHIMNEY AND STOVEPIPE

1. Is stovepipe less than 10 feet long with no more than two 90° bends and does it slope at least 1/4 inch per foot upwards to the chimney?
 Yes No
2. Does stovepipe have joints secured by sheet metal screws?
 Yes No
3. If the stovepipe passes through a floor or wall and connects to a masonry chimney, is the area protected with:
 - Factory built UL listed wall pass through device - 2" air space to combustibles required
 - 3 1/2" brick, surrounding stovepipe 12" in all directions
 - 1 foot or longer section of UL HT insulated metal chimney - 9" air space to combustibles required.
4. Type of Chimney: Brick Concrete Block
 Metalbestos Triple Wall Metal Other _____
5. If it is a metal chimney, what is it's age? _____
6. If it is a masonry chimney, what type of liner does it have?
 Clay Tile Steel Other _____
7. If it is a Pre-Fabricated metal chimney, does it have the UL label HT for Class A chimneys? Yes No
8. Are any other heating appliances connected to the same flue?
 Yes No If yes, explain: _____
9. General condition of the chimney: _____
 Excellent Good Fair Poor
10. How often are the chimney and stovepipe cleaned? _____
11. Is there a heat reclaimer device connected to the stovepipe?
 Yes No If yes, explain: _____
12. If stovepipe does not have the required 18" clearance, is there 24 ga. steel metal with 1" ventilated air space to all nearest combustible walls and/or ceilings? Yes No

COMMENTS:

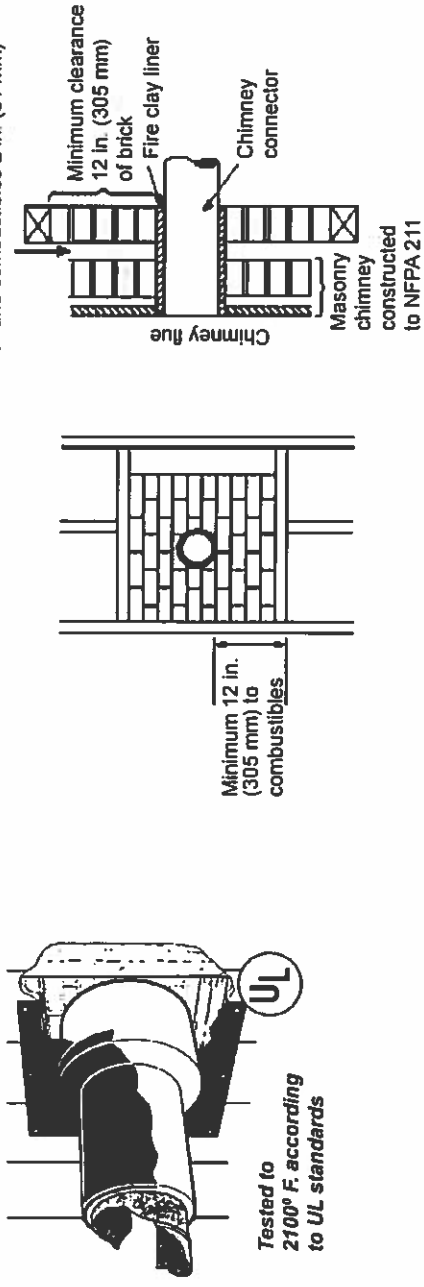
THIS SECTION MUST BE COMPLETED



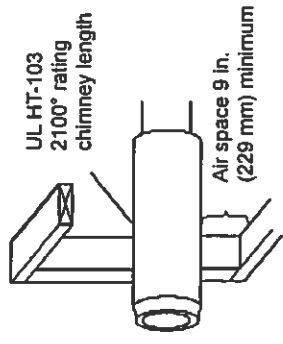
UNIT CLEARANCES

1. Sides of unit to nearest wall _____ inches.
2. Floor protection _____ inches on all sides.
3. Bottom of unit to floor _____ inches.
4. Rear of unit to back wall _____ inches.
5. Stovepipe to nearest wall _____ inches.
6. Top of stovepipe to ceiling _____ inches.
7. Side of stovepipe to side wall _____ inches.
- 8a. Wall pass through - Distance to nearest combustible (stud) _____ inches.
- 8b. Wall pass through - Distance to nearest combustible (stud) _____ inches.

SUGGESTED PROCEDURE FOR WALL PASS THRU DEVICES CONNECTING CHIMNEY CONNECTOR (STOVEPIPE) TO A MASONRY CHIMNEY

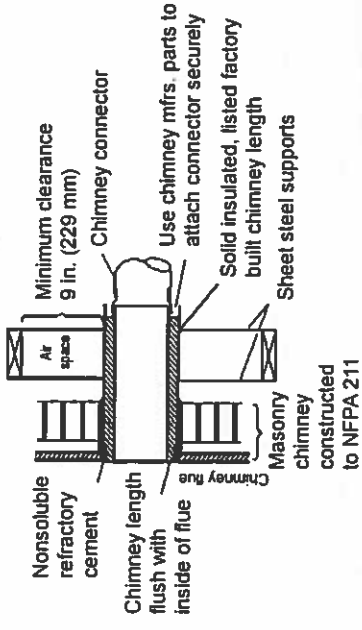


1. Manufactured Wall Pass Thru



2. 3 1/2 Inch Brick Surrounding Stovepipe

Minimum chimney clearance from masonry to sheet steel supports and combustibles 2 in. (51 mm)



3. Solid Insulated UL Listed Factory - Built Chimney Length

RECOMMENDED CLEARANCES FOR WOODBURNING UNITS (For Corn/Pellet Stoves - See Manufacturer's Recommendations)

